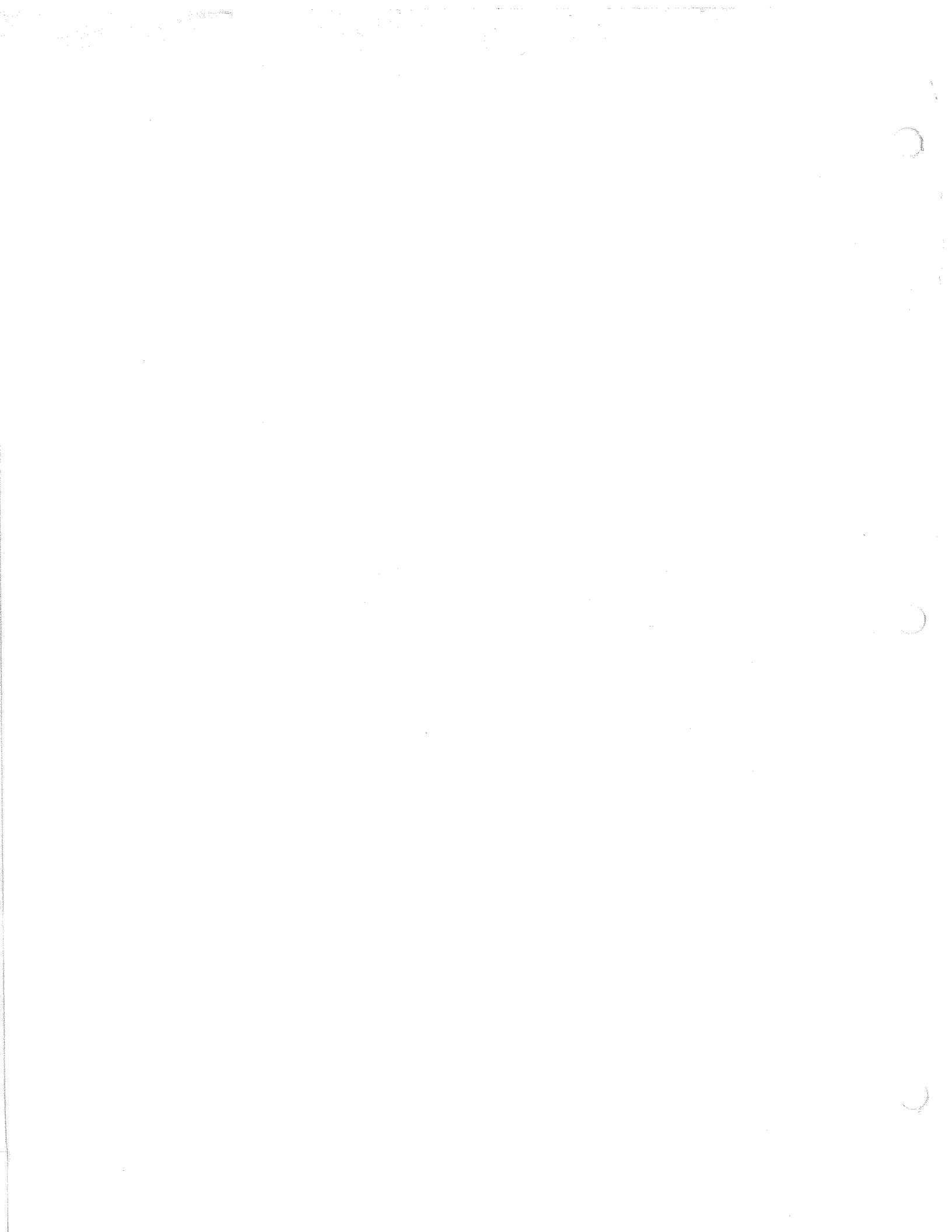
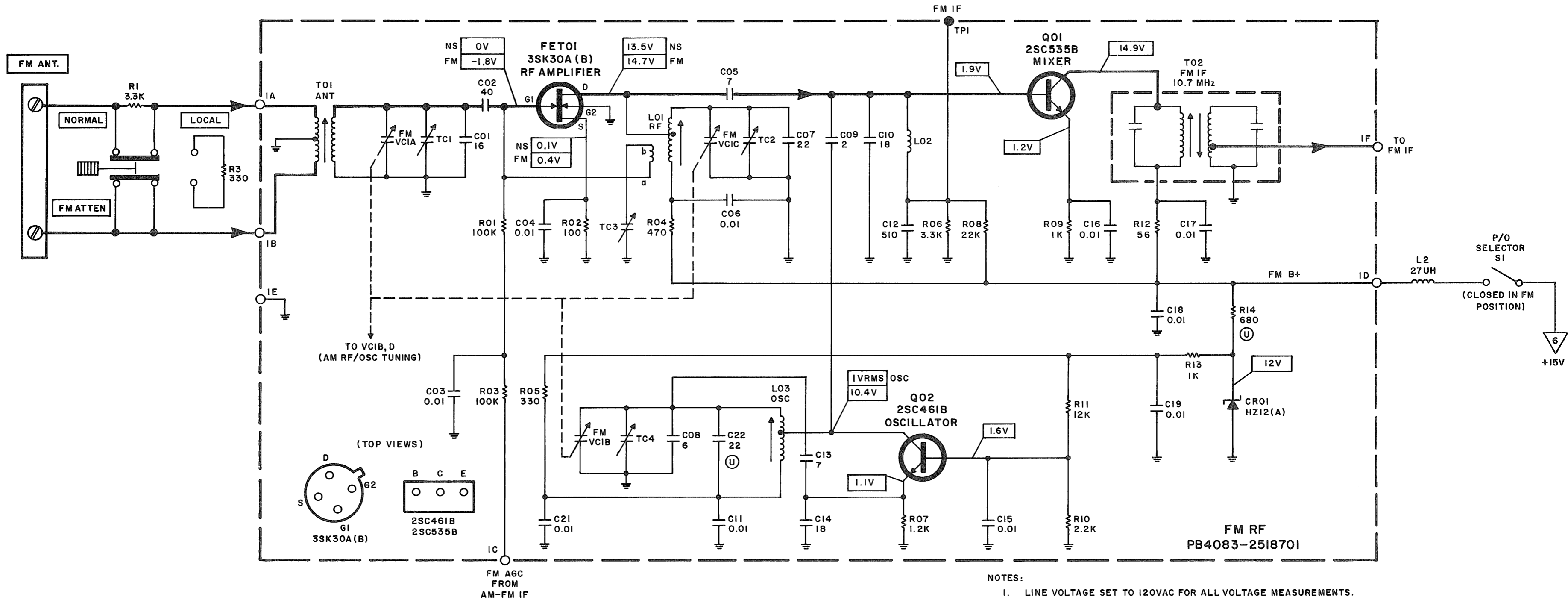
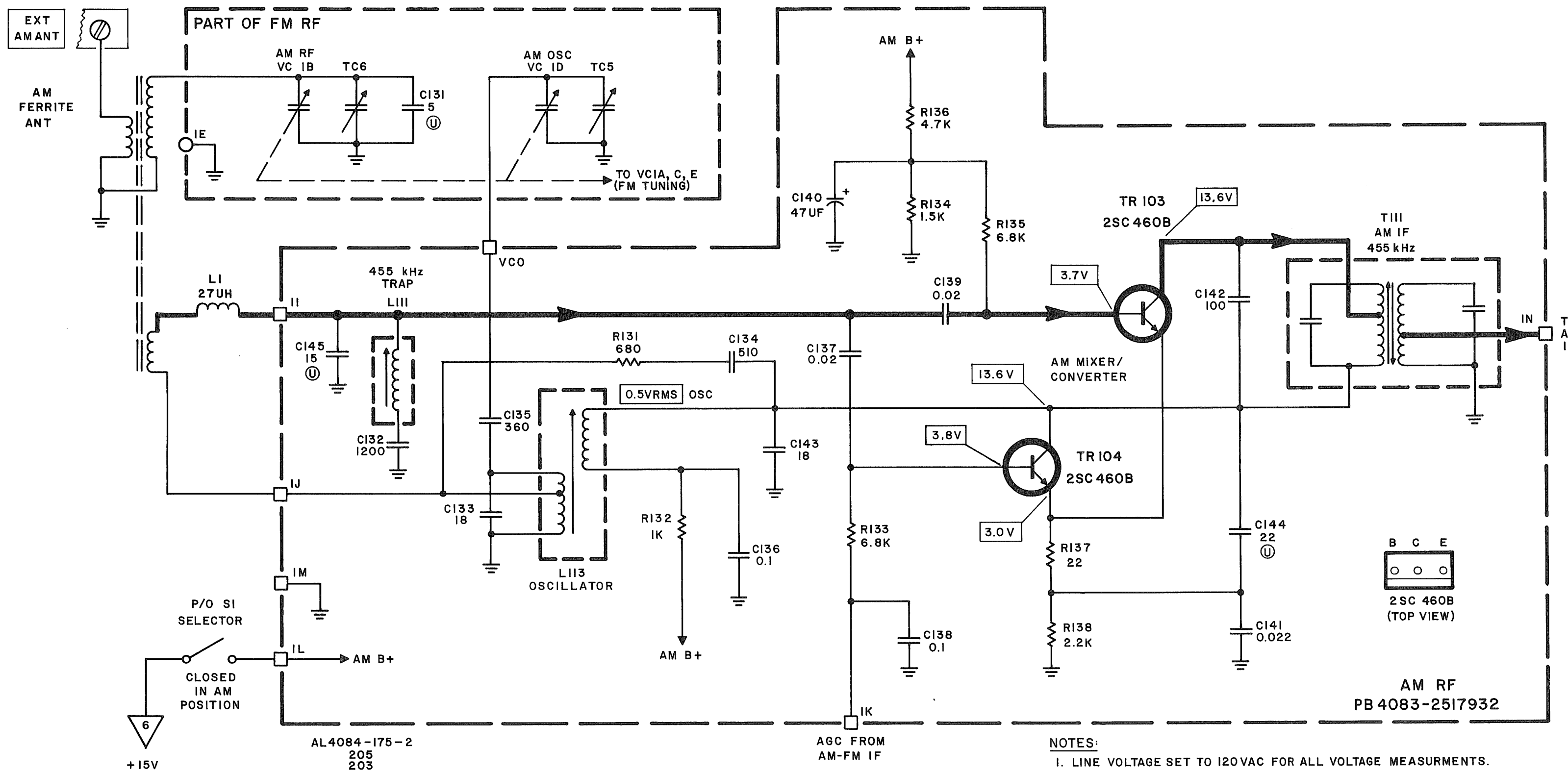


The enclosed schematics cover THE FISHER 203, 213, and 295 Receivers, and furnish servicing information until complete service manuals are available.

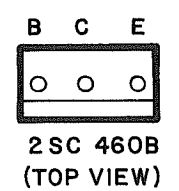




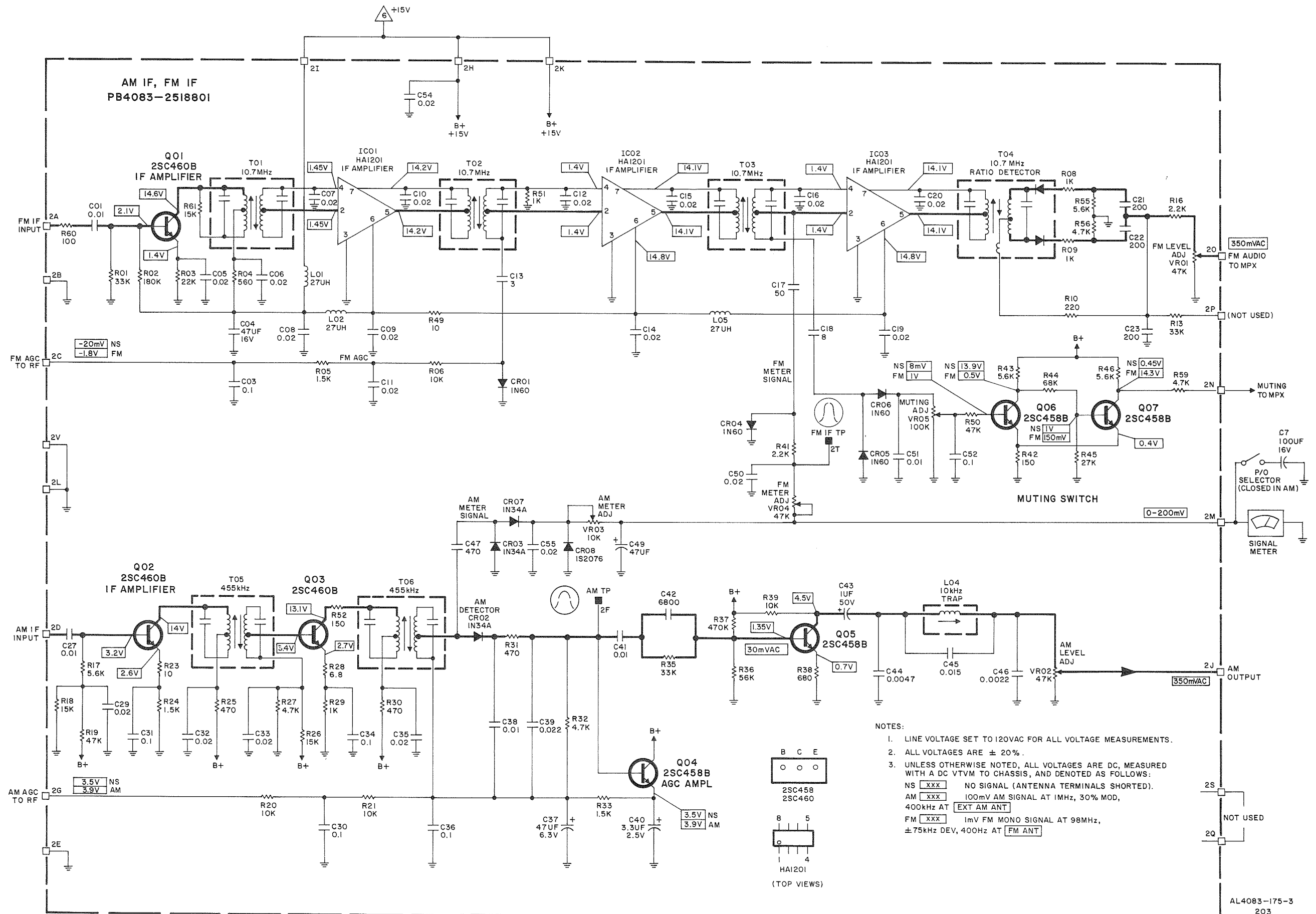
- NOTES:
1. LINE VOLTAGE SET TO 120VAC FOR ALL VOLTAGE MEASUREMENTS.
  2. ALL VOLTAGES ARE  $\pm 20\%$ .
  3. ALL VOLTAGES ARE DC, MEASURED WITH A DC VTVM TO CHASSIS, AND DENOTED AS FOLLOWS:  
NS [XXX] NO SIGNAL (ANTENNA TERMINAL SHORTED).  
FM [XXX] 1mV FM MONO SIGNAL AT 98MHz,  $\pm 75$  kHz DEVIATION, 400Hz AT FM ANT.
  4. (U) DENOTES PARTS MOUNTED ON UNDERSIDE OF BOARD.

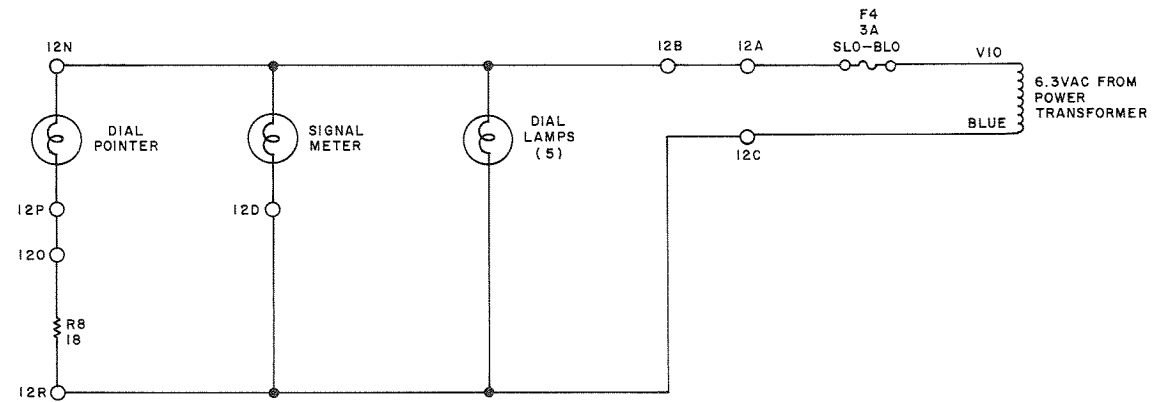
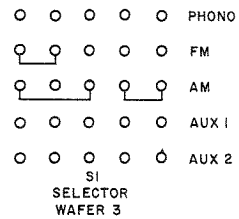
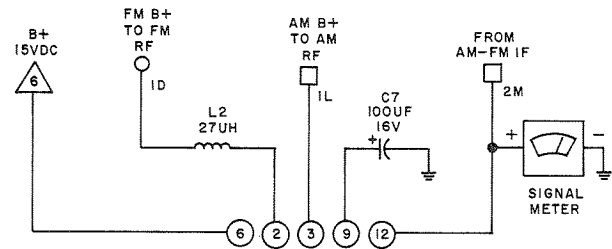


- NOTES:**
1. LINE VOLTAGE SET TO 120VAC FOR ALL VOLTAGE MEASUREMENTS.
  2. ALL VOLTAGES ARE  $\pm 20\%$
  3. ALL VOLTAGES ARE DC, MEASURED WITH A DC VTVM TO CHASSIS, WITH NO SIGNAL INPUT.
  4.  $\text{\textcircled{U}}$  DENOTES PARTS MOUNTED ON UNDERSIDE OF BOARD.



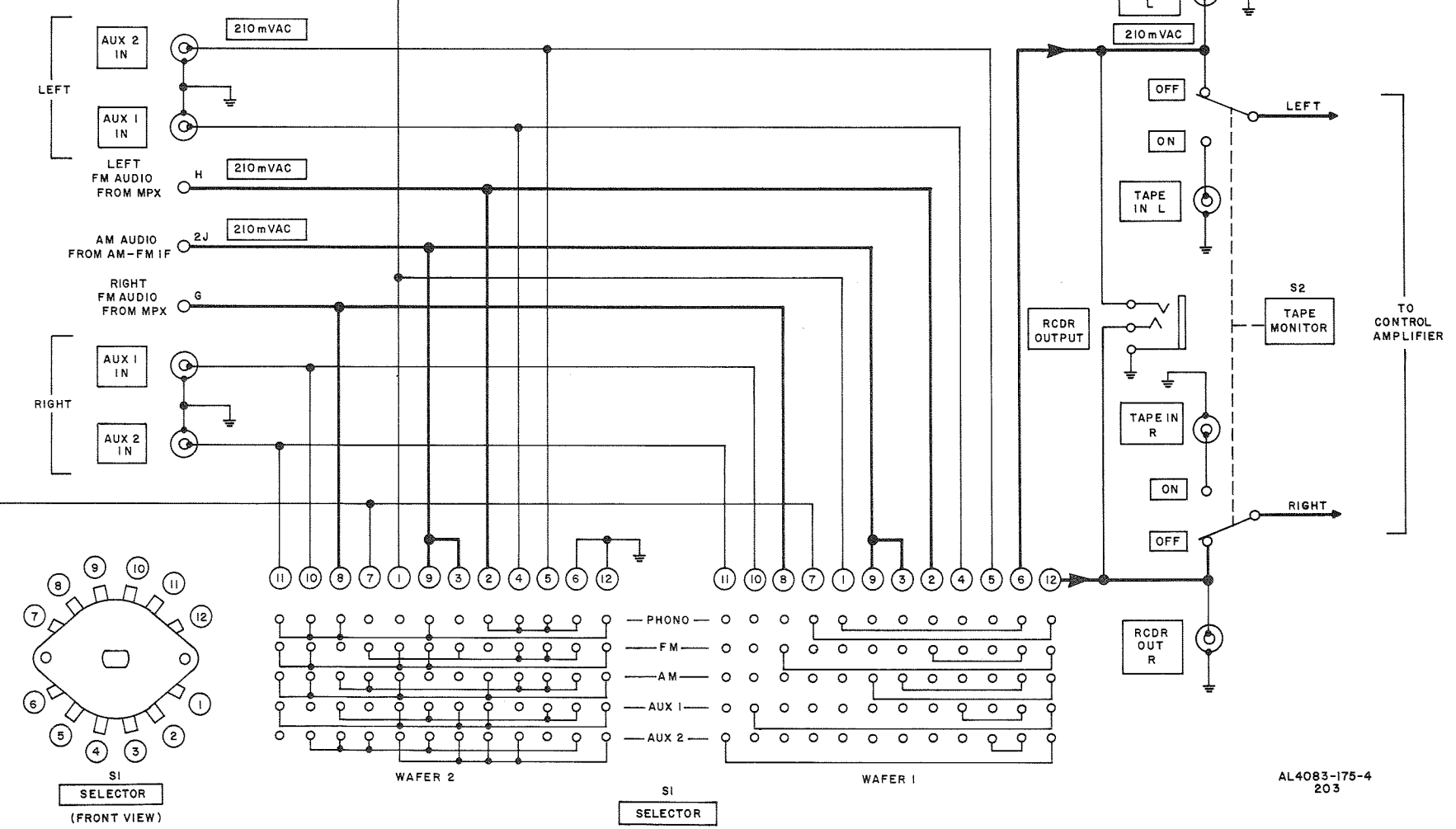
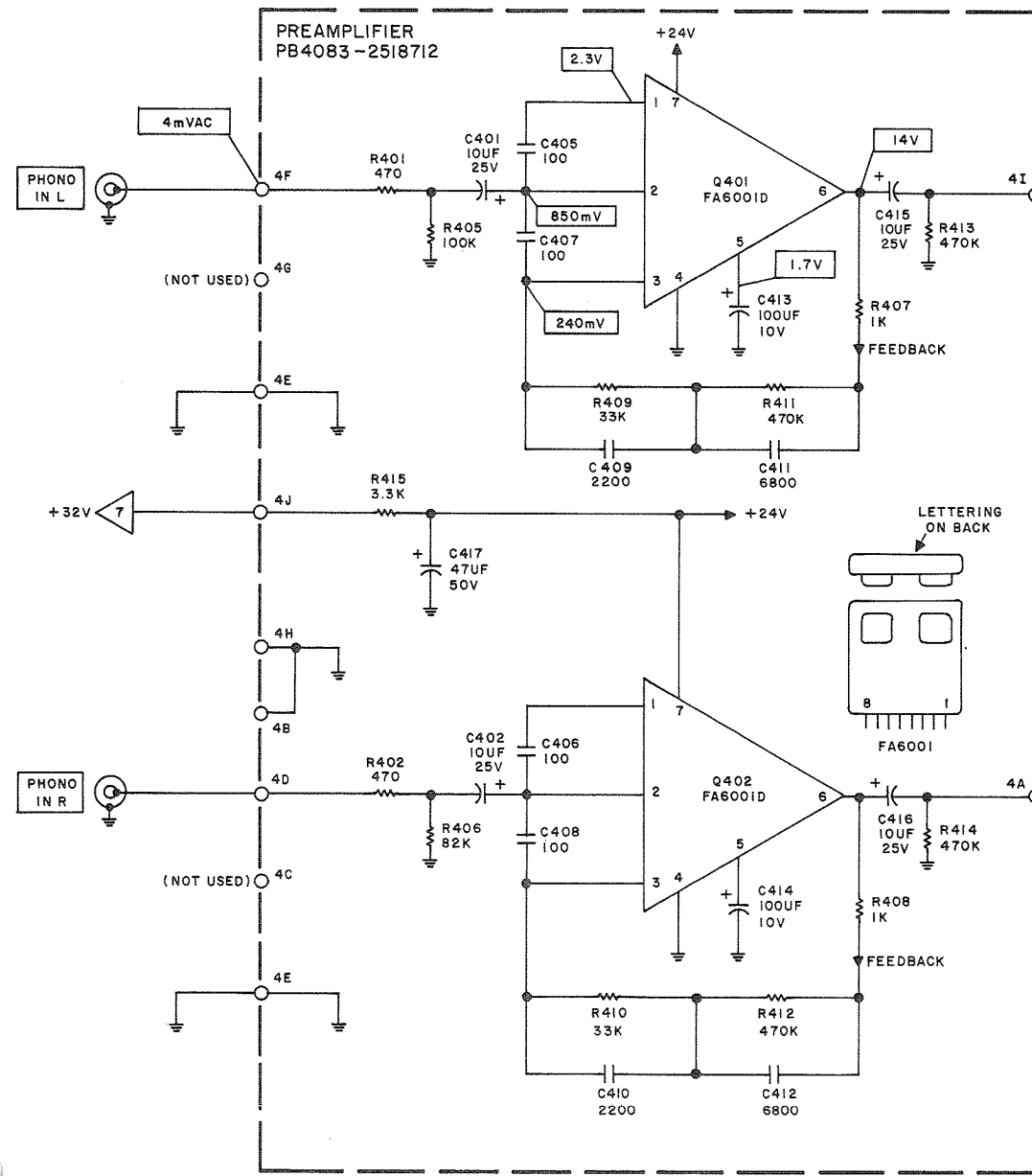
AM RF  
PB 4083-2517932

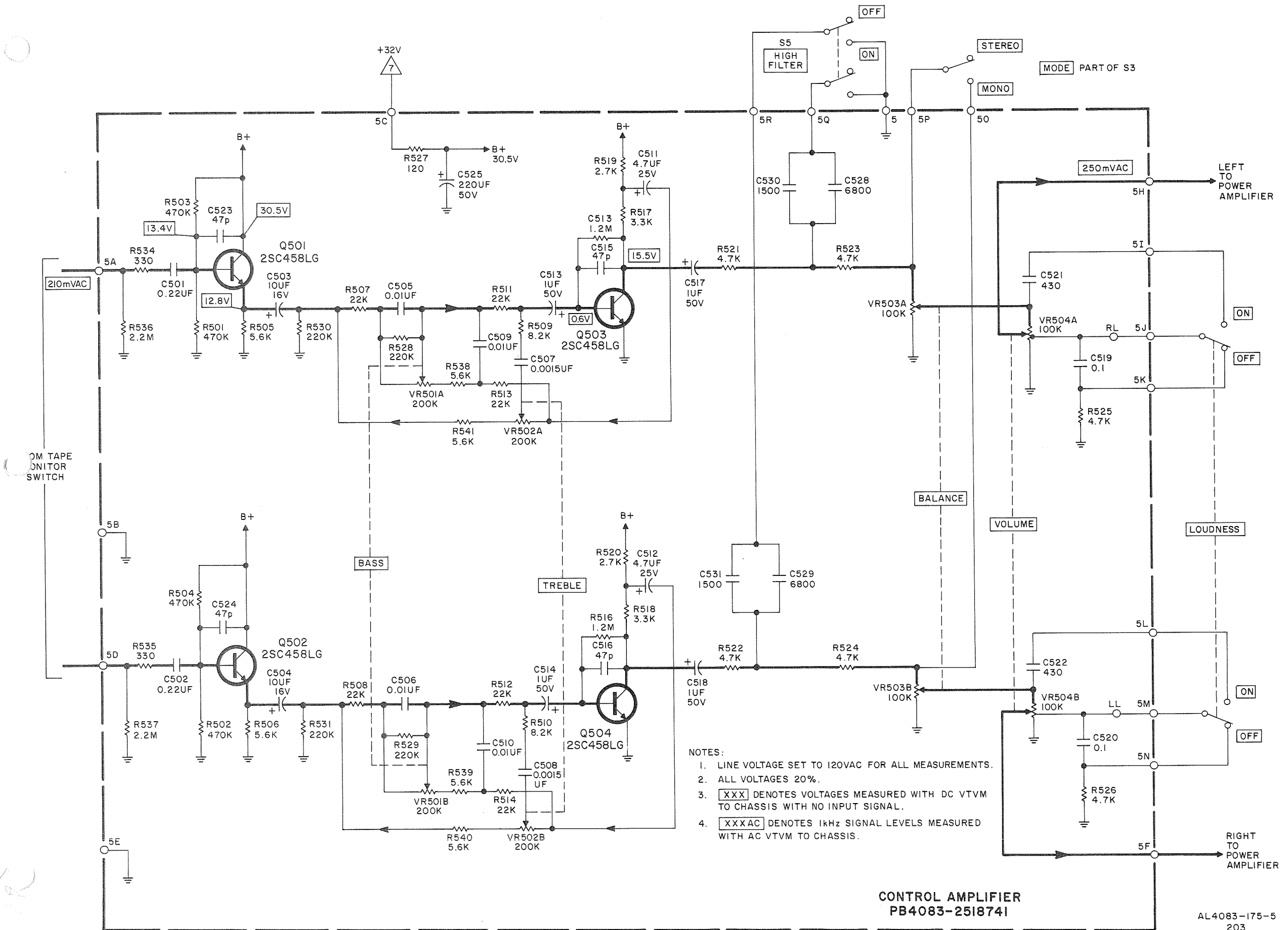




NOTES:

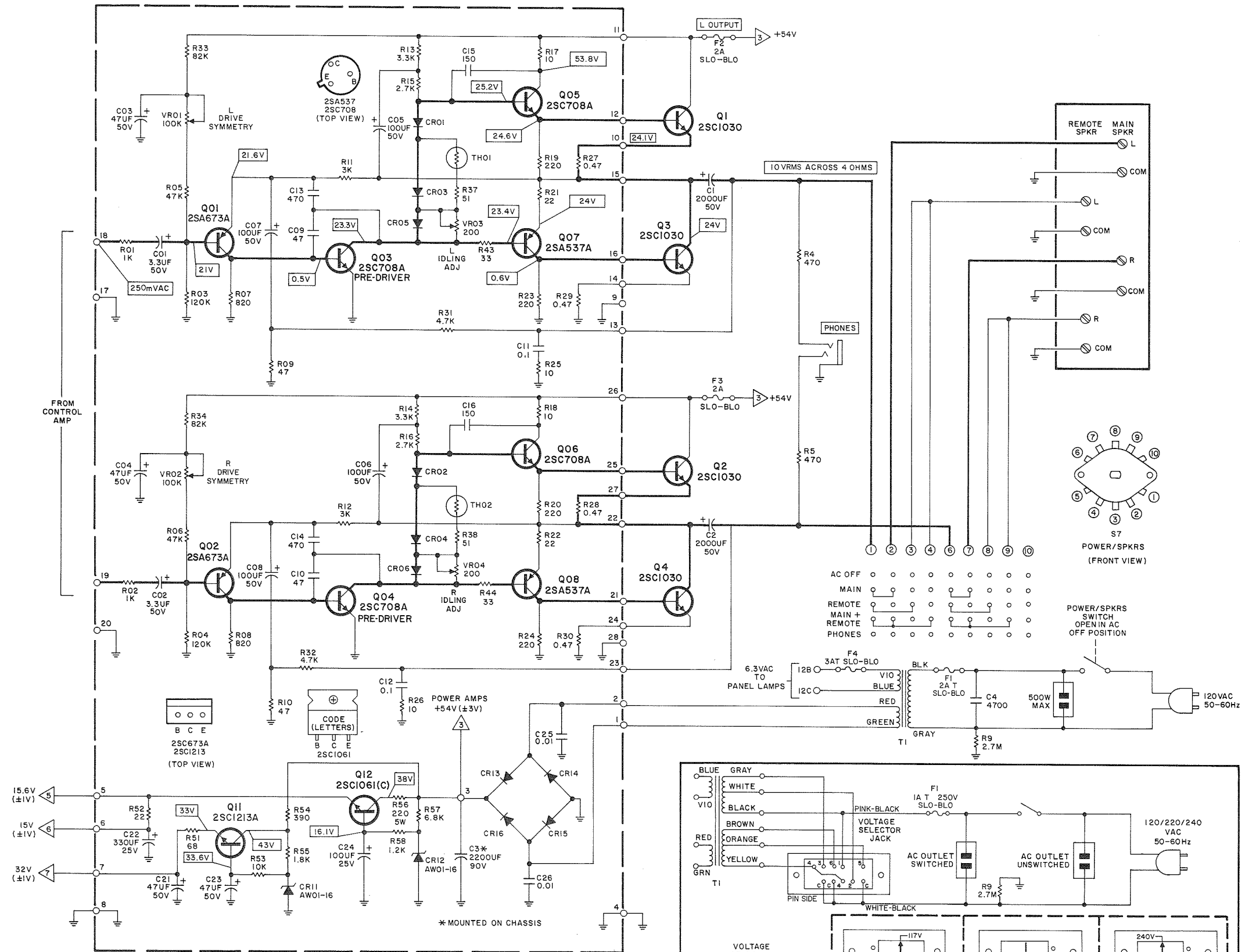
1. LINE VOLTAGE SET TO 120VAC FOR ALL MEASUREMENTS.
2. ALL VOLTAGES 20%
3. XXX DENOTES DC VOLTAGES MEASURED WITH DC VTVM TO CHASSIS WITH NO INPUT SIGNAL.
4. XXXVAC DENOTES 1kHz SIGNAL LEVELS MEASURED WITH AC VTVM TO CHASSIS.





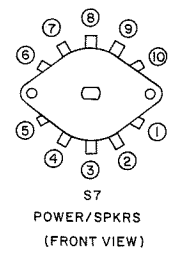
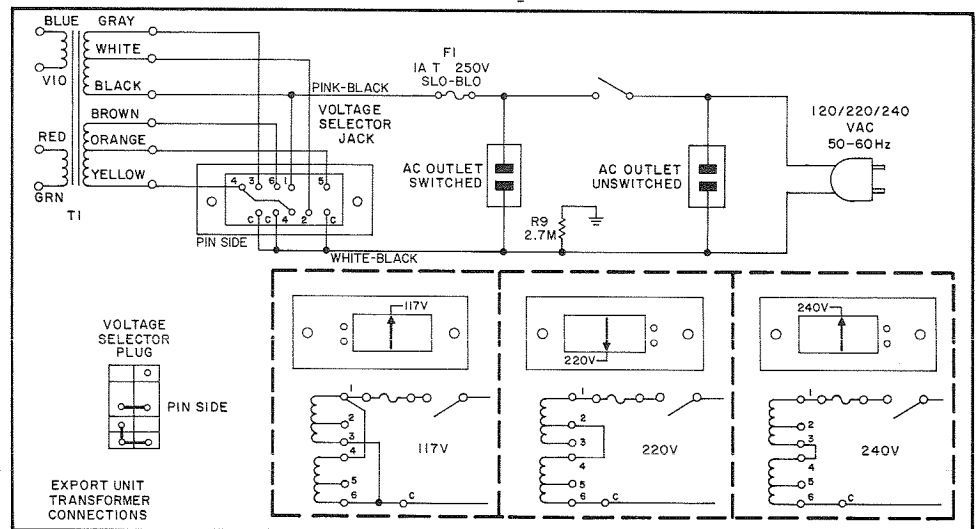
- NOTES:
1. LINE VOLTAGE SET TO 120VAC FOR ALL MEASUREMENTS.
  2. ALL VOLTAGES 20%.
  3. [XXX] DENOTES VOLTAGES MEASURED WITH DC VTVM TO CHASSIS WITH NO INPUT SIGNAL.
  4. [XXXAC] DENOTES 1kHz SIGNAL LEVELS MEASURED WITH AC VTVM TO CHASSIS.

**CONTROL AMPLIFIER  
PB4083-2518741**



AL4083-175-6  
203

- NOTES:
1. LINE VOLTAGE SET TO 120VAC FOR ALL VOLTAGE MEASUREMENTS.
  2. ALL VOLTAGES  $\pm 20\%$ .
  3. [XXX] DENOTES DC VOLTAGES MEASURED WITH DC VTVM TO CHASSIS WITH NO INPUT SIGNAL.
  4. [XXXVAC] DENOTES 1kHz SIGNAL, IN MILLIVOLTS, MEASURED WITH AC VTVM, ONE CHANNEL DRIVEN.

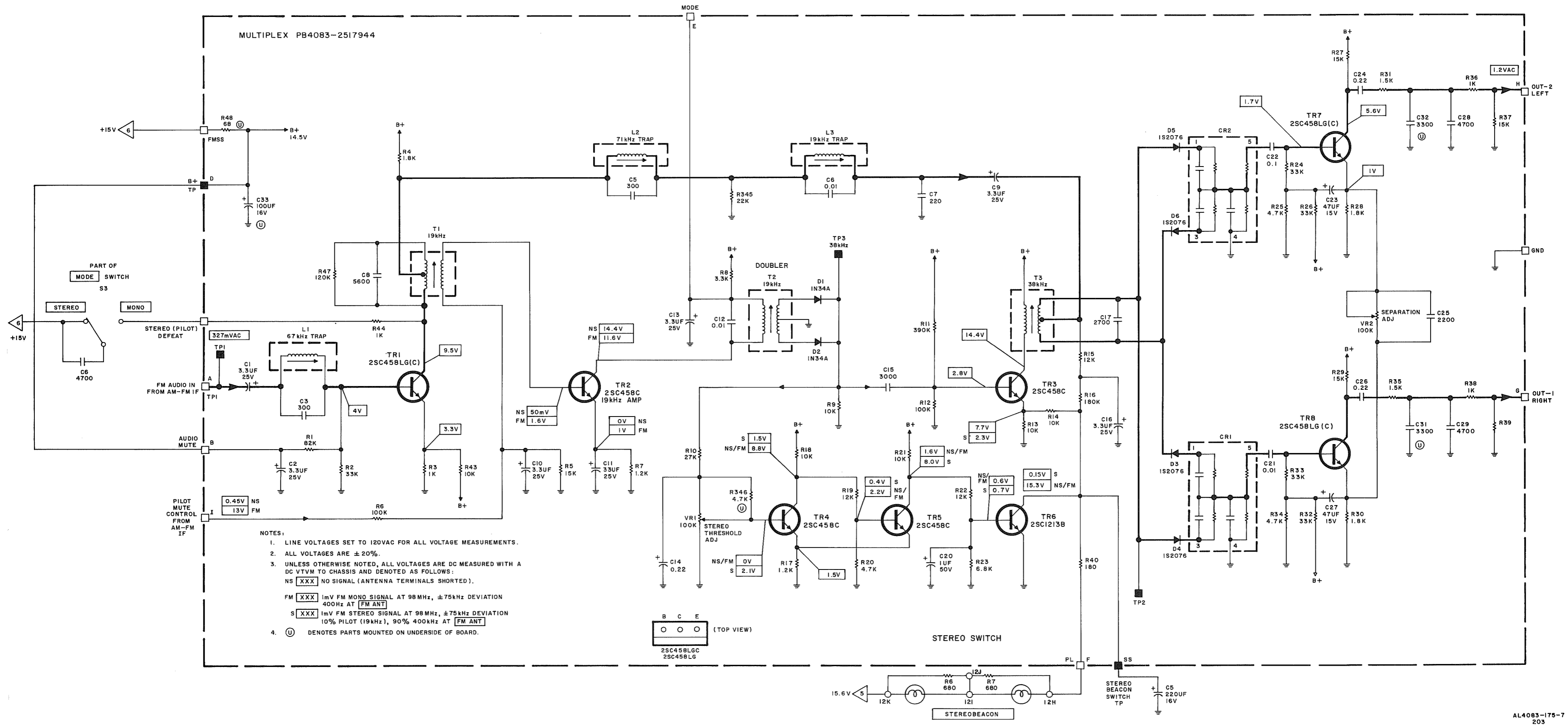


- AC OFF
- MAIN
- REMOTE
- MAIN + REMOTE
- PHONES

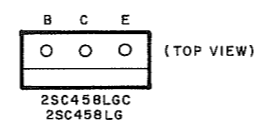
POWER/SPKRS SWITCH OPEN IN AC OFF POSITION



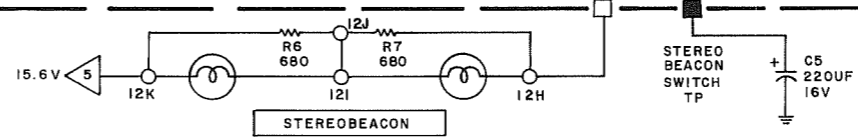
MULTIPLEX PB4083-2517944

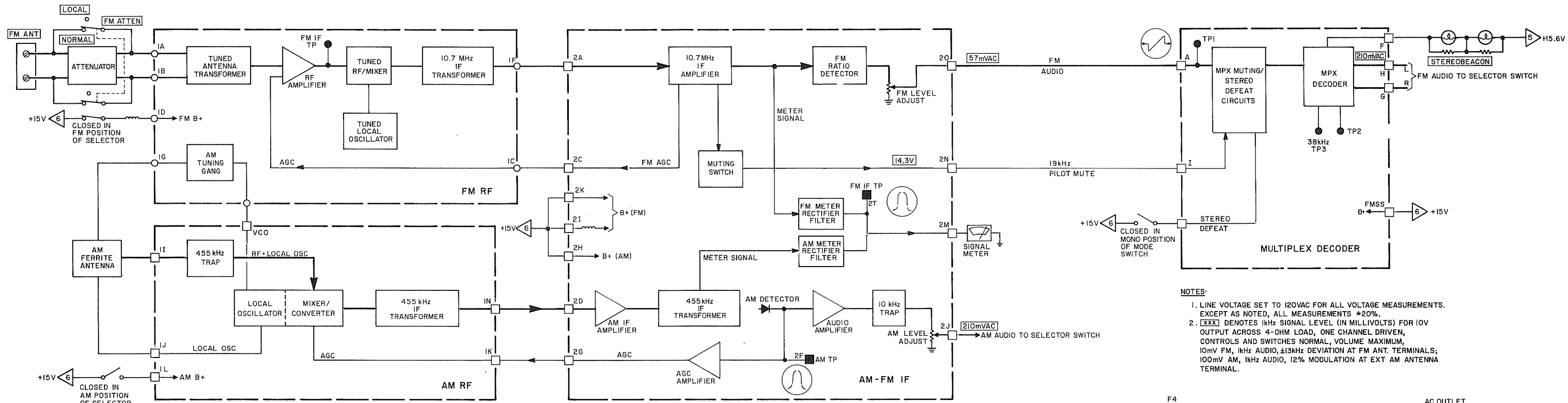


- NOTES:
1. LINE VOLTAGES SET TO 120VAC FOR ALL VOLTAGE MEASUREMENTS.
  2. ALL VOLTAGES ARE  $\pm 20\%$ .
  3. UNLESS OTHERWISE NOTED, ALL VOLTAGES ARE DC MEASURED WITH A DC VTVM TO CHASSIS AND DENOTED AS FOLLOWS:  
 NS [XXX] NO SIGNAL (ANTENNA TERMINALS SHORTED).  
 FM [XXX] 1mV FM MONO SIGNAL AT 98MHz,  $\pm 75$ kHz DEVIATION 400Hz AT [FM ANT]  
 S [XXX] 1mV FM STEREO SIGNAL AT 98MHz,  $\pm 75$ kHz DEVIATION 10% PILOT (19kHz), 90% 400kHz AT [FM ANT]
  4. (U) DENOTES PARTS MOUNTED ON UNDERSIDE OF BOARD.



STEREO SWITCH





- NOTES:
1. LINE VOLTAGE SET TO 120VAC FOR ALL VOLTAGE MEASUREMENTS. EXCEPT AS NOTED, ALL MEASUREMENTS  $\pm 20\%$ .
  2. [XXX] DENOTES 1kHz SIGNAL LEVEL (IN MILLIVOLTS) FOR 10V OUTPUT ACROSS 4-OHM LOAD, ONE CHANNEL DRIVEN, CONTROLS AND SWITCHES NORMAL, VOLUME MAXIMUM, 10mV FM, 1kHz AUDIO,  $\pm 13\text{kHz}$  DEVIATION AT FM ANT. TERMINALS; 100mV AM, 1kHz AUDIO, 12% MODULATION AT EXT AM ANTENNA TERMINAL.

